



ES12-25WA

Electric Stacker 1.2t

Straddle Design Improves the Stability of Stacking;
Suitable for Handling and Stacking of Various Non-standardized Pallets.

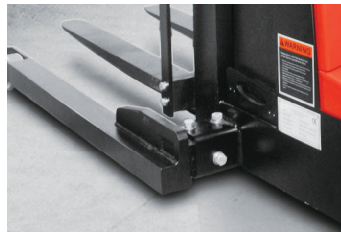
EP EQUIPMENT CO.,LTD
www.ep-ep.com



FEATURE

Performance

- The innovative AC system offers strong power, accurate control, excellent performance.
- High strength vertical gearbox, longer working life.
- Low-noise but durable hydraulic unit, good quality cylinder as well as hose ensure the high reliability of hydraulic system.
- AMP connector and durable electric wires greatly reduce malfunctions of components.
- H shape channel mast improves the strength of the whole truck.
- Staddle design ensures the stability of high lifting.



Safety

- Safe hydraulic system design prevents mast from falling down abruptly when hydraulic pipeline cuts off.
- Emergency reverse button protects the operator from getting hurt.
- Emergency disconnecter will cut off power source to avoid accident when truck goes out of control.
- Multiple lifting limit protection ensures safety.
- Automatic switch to lower speed when the fork reaches its setting height.
- Anti-rolling back brake keeps the truck from skidding down when truck is out of control or travelling on ramp.
- Long operational tiller ensures safety distance for operators.

Operation

- With the new design of ergonomical tiller head, all buttons can be reached conveniently & comfortably.
- Long tiller reduces the steering force greatly.
- Adjustable forks, suitable for complicated pallets or cargos.
- Creep speed function: when tiller is in near vertical position, the driving speed will decrease automatically, allowing delicate operation in confined space.
- Side-open battery design for easy battery replacement and various applications.
- Two-speed lowering offers better stability and accuracy of goods stacking.

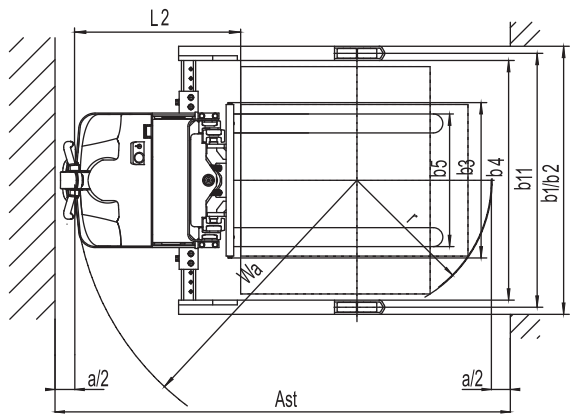
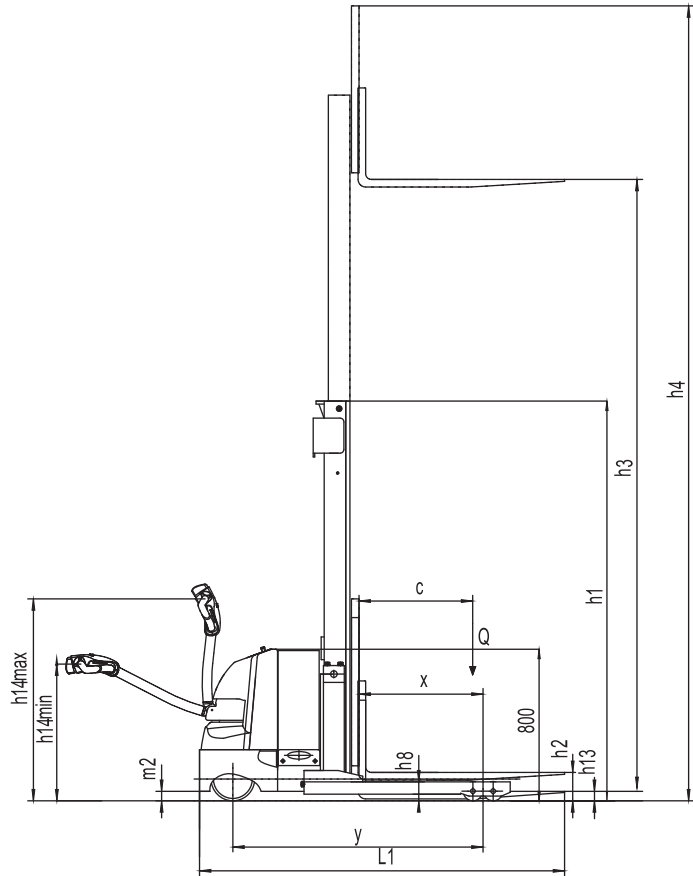
Maintenance

- AC traction motor, maintenance free.
- Hour meter and battery indicator remind the operator of battery charging.
- Easily remove the back cover by only loosening four bolts; Access to all key components for inspection, maintenance and replacement.
- Vertical motor makes the inspection & service much more convenient.
- Control system allows easy trouble-shooting.
- Mast and chassis are assembled together, easy for maintenance.
- Low voltage cut off setting protects batteries.

Electric Stacker 1.2t ES12-25WA

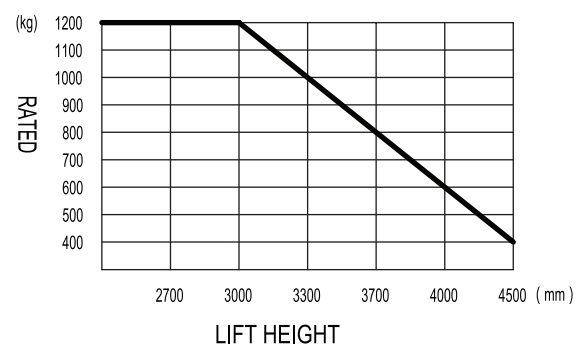
Distinguishing mark	1.1	Manufacturer			EP
	1.2	Model designation			ES12-25WA
	1.3	Drive			Electric
	1.4	Operator type			Pedestrian
	1.5	Load capacity	Q	kg	1200
	1.6	Load center distance	c	mm	600
	1.8	Load distance, centre of drive axle to fork	x	mm	618
	1.9	Wheelbase	y	mm	1320
	Service weight	2.1	Service weight		kg
2.2		Axle loading, laden front/rear		kg	685/1665
2.3		Axle loading, unladen front/rear		kg	665/485
Tyres/chassis	3.1	Tyre type			Polyurethane
	3.2.1	Tyre size, front		mm	Φ230x75
	3.3.1	Tyre size, rear		mm	Φ102x50
	3.4	Additional wheels (castor wheels)		mm	—
	3.5	Wheels, number front/rear (x=drive wheels)		mm	1x+0/4
	3.6.1	Tread width, front	b10	mm	—
	3.7.1	Tread width, rear	b11	mm	1045/1145/1245/1345
	Dimensions	4.0	Max. Lift Height	H	mm
4.2		Retracted mast height	h1	mm	2110
4.3		Free lift	h2	mm	150
4.4		Lift height	h3	mm	3220
4.5		Height, mast extended	h4	mm	4185
4.6		Initial lift	h5	mm	—
4.9		Height of tiller handle in drive position min./max.	h14	mm	715/1200
4.10		Height of wheel arms	h8	mm	100
4.15		Lowered height	h13	mm	60
4.19		Overall length	l1	mm	1947
4.20		Length to face of forks	l2	mm	877
4.21		Overall width	b1/b2	mm	1120/1220/1320/1420
4.22		Fork dimensions	s/e/l	mm	40/100/1070
4.24		Fork carriage width	b3	mm	800
4.25		Distance between fork-arms	b5	mm	200-760
4.26		Distance between wheel arms/loading surfaces	b4	mm	970/1070/1170/1270
Performance data		4.31	Ground clearance, laden, below mast	m1	mm
	4.32	Ground clearance, center of wheelbase	m2	mm	60
	4.34.1	Aisle width for pallets 1000×1200 crossways	Ast	mm	2405
	4.34.2	Aisle width for pallets 800×1200 crossways	Ast	mm	2400
	4.35	Turning radius	Wa	mm	1490
	5.1	Travel speed, laden/unladen		km/h	5.0/5.5
	5.2	Lifting speed, laden/unladen		m/s	0.127/0.23
	5.3	Lowering speed, laden/unladen		m/s	0.26/0.20
Electric-engine	5.8	Max. gradeability, laden/unladen		%	8/16
	5.10	Service brake			Electromagnetic
	6.1	Drive motor rating S2 60 min		kW	1.1
	6.2	Lift motor rating at S3 15%		kW	2.2
	6.4	Battery voltage/nominal capacity		V/Ah	24/210
Addition data	6.5	Battery weight		kg	160
	8.1	Type of drive control			AC
	10.5	Steering design			Mechanical
	10.7	Sound pressure level at the driver's ear		dB(A)	74

If there are improvements of technical parameters or configurations, no further notice will be given.
The diagram shown may contain non-standard configurations.



RATED CAPACITIES GRAPH

ES12-25WA



Mast Option

Mast types	Lift height h3+h13 (mm)	Height, mast lowered h1 (mm)	Free lift h2 (mm)	Height, mast extended h4 (mm)
2-Standard Mast	2470	1710	150	3385
	2670	1810	150	3585
	2970	1960	150	3885
	3270	2110	150	4185
	3470	2210	150	4385
	3570	2260	150	4485
2-Free Mast	—	—	—	—
	—	—	—	—
3-Free Mast	4000	1822	904	4915
	4500	2022	1104	5415
	4800	2122	1204	5715
	5000	2187	1269	5915

Option

No.	Optional items	ES12-25WA
1.1	Fork dimension	●1070○1150○1220○920
1.2	Fork lowered height	●60
1.3	Fork carriage width	●800
1.4	backrest height	●915mm
2.1	Load wheel type	●Double
2.2	Load wheel material	●Polyurethane
2.3	Drive wheel material	●Polyurethane
2.7	Battery capacity	●210Ah○205Ah(Li-ion)
2.8	Charger	●24V-30A External○24V-100A External (Li-ion)
2.9	Battery indicator	●With time○With time (Bluetooth, for Li-ion battery)
3.3	Water auto-filling system	●No○Yes and not customized (only for Lead-acid battery)
3.20	Telematics	●No○Yes and not customized (Only for Li-ion battery)
Note: ●Standard ○ Optional - Inconformity		