



TDL201 LI-ION TECHNOLOGY

Li-ion Counterbalance Forklift Truck 2.0T

- Hydraulic steering system with better human-vehicle interaction
- Electromagnetic joystick available for premium needs
- Larger legroom to amplify driving comfort
- Powerful and constant working performance
- New informative LCD display

EP EQUIPMENT CO.,LTD
www.ep-ep.com



FEATURE

Hydraulic steering system with better human-vehicle interaction

TDL201 adopts the hydraulic steering system and this achieves more precise and responsive operation, which demonstrates better human-vehicle interaction. Plus, the hydraulic steering system comes with a simple and reliable structure with lower maintenance costs.



Electromagnetic joystick available for premium needs

For premium material handling, the electromagnetic joystick is available as an option which puts operation experience and productivity at the forefront. The joystick houses all controls of the truck and the operator are allowed to perform all functions in a palm-sized place with utmost precision.



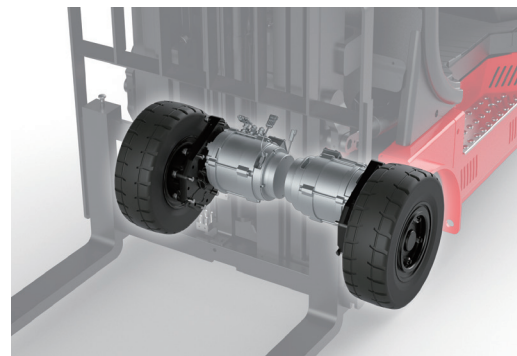
Larger legroom to amplify driving comfort

The integrated design of the operator compartment is intended to create a larger operational space to improve ergonomics to reduce operator work-related health issues, as well as to improve operational efficiency.



Powerful and constant working performance

The 48V/360Ah lithium battery with opportunity charging and 5.4kW*2 dual drive motors guarantee the TDL201 operate at full power at all times with a permanently high performance. It comes with a 48V/50A integrated charger as standard for charging convenience and 48V/150A and 48V/200A external chargers available as options to better fit in your needs.



■ **Optimized truck frame for cabin installation and detachment**

TDL201 features the streamlined design as the L2 series and an optimized one-piece truck frame, which is easy for cabin installation as well as detachment.



■ **New informative LCD display**

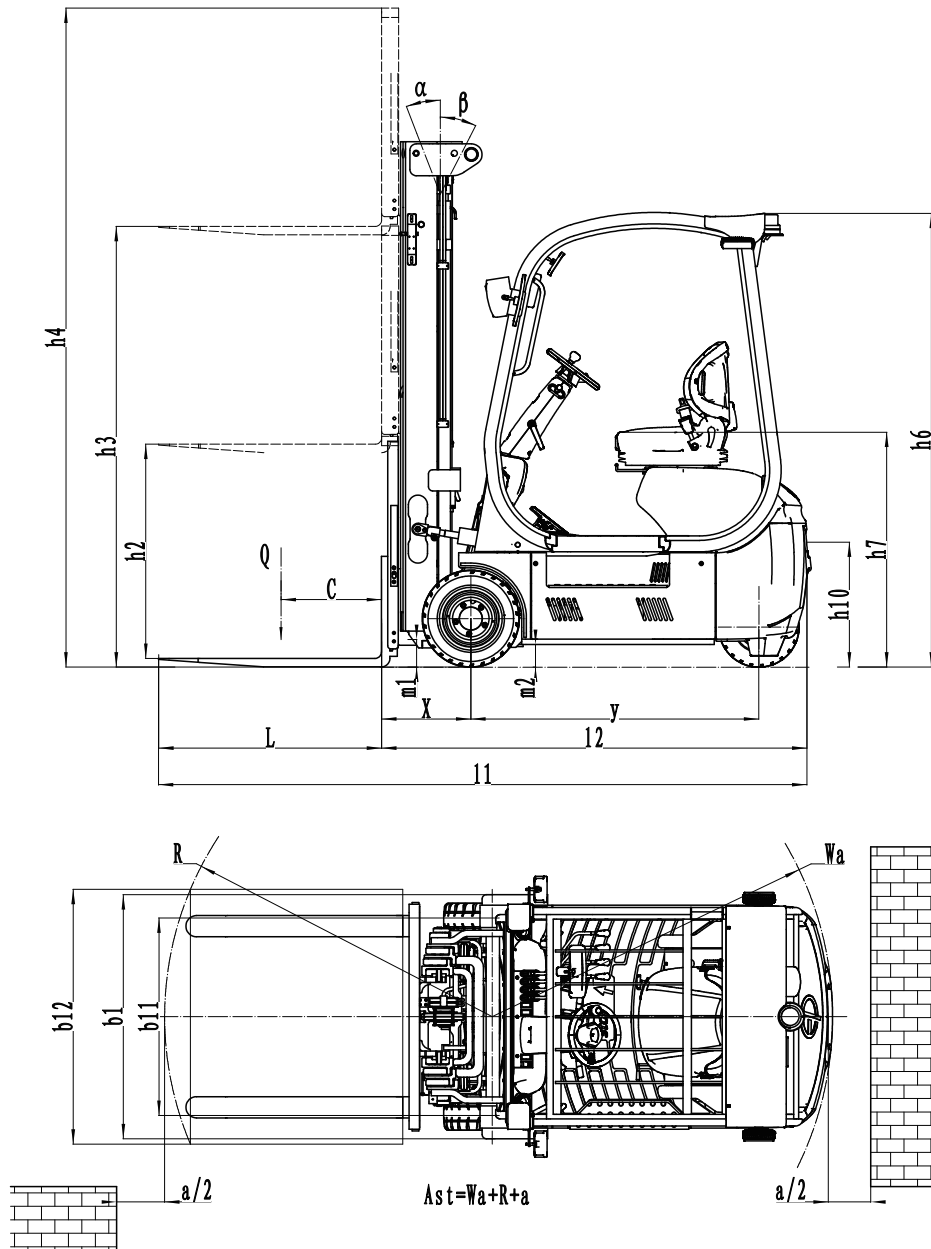
TDL201 provides the high-resolution LCD display which is installed at the upper right corner of the cabin. Via a glance, the operator is able to find speed, working hours, battery status, miles driven and parking status. This informative and intuitive display ensures relaxed and safe working.



Li-ion Counterbalance Forklift Truck 2.0T TDL201

Distinguishing mark	1.1	Manufacturer			EP
	1.2	Model designation			TDL201
	1.3	Drive			Electric
	1.4	Operator type			Seated
	1.5	Load capacity	Q	kg	2000
	1.6	Load center distance	c	mm	500
	1.8	Load distance, centre of drive axle to fork	x	mm	420
	1.9	Wheelbase	y	mm	1358
	Service weight	2.1	Service weight		kg
2.2		Axle loading, laden front/rear		kg	4892/683
2.3		Axle loading, unladen front/rear		kg	1535/2040
Tyres/chassis	3.1	Tyre type			Solidrubber
	3.2	Tyre size, front			200/50-10
	3.3	Tyre size, rear			15/4.5-8
	3.5	Wheels, number front/rear (x=drive wheels)		mm	2X2
	3.6	Tread width, front	b10	mm	936
	3.7	Tread width, rear	b11	mm	175
	Dimensions	4.1	Tilt of mast/fork carriage forward/backward	α/β	°
4.2		Retracted mast height	h1	mm	2075
4.3		Free lift	h2	mm	100
4.4		Lift height	h3	mm	3000
4.5		Height, mast extended	h4	mm	4058
4.7		Height of overhead guard (cabin)	h6	mm	2140
4.8		Seat height/standing height	h7	mm	1070
4.12		Tow coupling height	h10	mm	560
4.19		Overall length	l1	mm	3095
4.20		Length to face of forks	l2	mm	2025
4.21		Overall width	b1/b2	mm	1150
4.22		Fork dimensions	s/e/l	mm	122X40X1070
4.23		A,B Fork carriage class/type A, B			2A
4.24		Fork carriage width	b3	mm	1040
4.31		Ground clearance, laden, below mast	m1	mm	86
4.32		Ground clearance, center of wheelbase	m2	mm	104
4.34.1		Aisle width for pallets 1000×1200 crossways	Ast	mm	3348
4.34.2	Aisle width for pallets 800×1200 crossways	Ast	mm	3485	
4.35	Turning radius	Wa	mm	1605	
Performance data	5.1	Travel speed, laden/unladen		km/h	15/16
	5.2	Lifting speed, laden/unladen		m/s	0.35/0.43
	5.3	Lowering speed, laden/unladen		m/s	0.45/0.37
	5.5	Drawbar pull, laden/unladen		N	—
	5.6	Max. drawbar pull, laden/unladen		N	—
	5.8	Max. gradeability, laden/unladen		%	15/17
	5.10	Service brake			Electromagnetic
5.11	Parking brake			Electromagnetic	
Electric-engine	6.1	Drive motor rating S2 60 min		kW	5.4X2
	6.2	Lift motor rating at S3 15%		kW	11
	6.4	Battery voltage/nominal capacity		V/Ah	48V/360Ah
	6.5	Battery weight		kg	250
	Addition data	8.1	Type of drive control		
10.5		Steering design			Hydraulic
10.7		Sound pressure level at the driver's ear		dB(A)	79
15.1		Charger output current		A	50

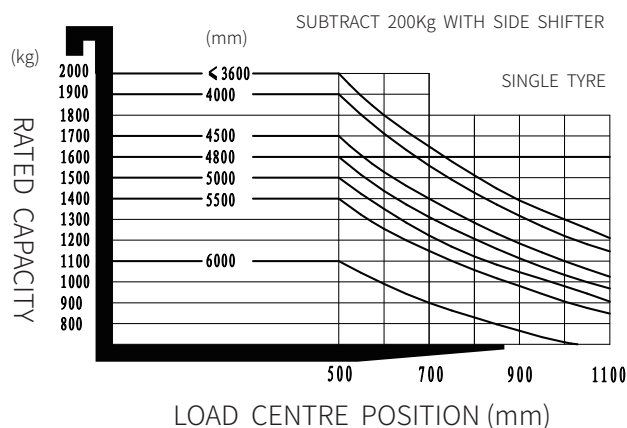
If there are improvements of technical parameters or configurations, no further notice will be given.
The diagram shown may contain non-standard configurations.



Mast Option

Mast types	Lift height (h_3)	Height, Mast			Height, Free lift(h_2)	
		Height, mast lowered(h_1)	Height, mast extended(h_4)		No shelving	With shelving
			No shelving	With shelving		
	mm	mm	mm	mm	mm	mm
2-Standard Mast	3000	2075	3740	4055	100	100
	3600	2375	4340	4655	100	100
	4000	2455	4740	5055	100	100
3-Free Mast	4500	2140	5240	5555	1430	1115
	4800	2240	5540	5855	1530	1215
	5000	2305	5740	6055	1595	1280
	5500	2475	6240	6555	1765	1450
	6000	2690	6740	7055	1980	1665

RATED CAPACITIES AND LOAD CENTERS GRAPH



Option

No.	Optional items	TDL201
1.1	Fork dimension	●122*40*1070○122*40*920○122*40*1150○122*40*1220 ○122*40*1370○122*40*1500○122*40*1600○122*40*1700 ○122*40*1820○122*40*1900○122*40*2000○122*40*2200
1.4	Fork carriage width	●1040mm ○Yes and can be customized
1.5	Fork carriage height	●1067mm (42in) ○1220mm (48in) ○1520mm (60in) ○Yes and can be customized
2.5	Front wheel material	●Solid rubber○Non-marking solid
2.6	Rear wheel material	●Solid rubber○Non-marking solid
2.7	Battery capacity	●360Ah
2.8	Charger	●48V-50A Internal ○48V-150A External ○48V-200A External
2.9	Battery indicator	●With time
2.10	Seat type	●Premium ○Suspension
2.11	Attachments	●No○Built-in sidershifter○External shifter○Side shift+fork positioner
2.13	Traction pin	●Yes
2.14	Electrostatic chain	●Yes
3.5	Front lamp	●LED
3.6	Rear lamp	●No○LED
3.7	Warning lamp	●Yes
3.8	Steering lamp	●Yes
3.9	Blue lamp	●No○2 front○1 rear○2 front + 1 rear
3.10	Area warning lamp	●No○1 left + 1 right (red)
3.11	Rearview mirror	●1 rear mirror in the middle○Add 1 rearview mirror on both sides
3.17	OPS system	●Yes
3.23	Telematics	●No○Yes and not customized
4.5	Proportional lift system	●No ○3-way valve ○4-way valve

Note: ● standard ○ option — NA