



HPL152

Semi Electric Pallet Truck 1.5T



EP EQUIPMENT CO.,LTD
www.ep-ep.com



▣ FEATURE

■ Smart lithium battery

It is equipped with lithium battery of 24V/20A.h, which is much lighter and longer battery life. It has an internal charger, so it can be used even when charged. It saves worries about the endurance and there is no need of special charging area.

■ Newly designed handle head

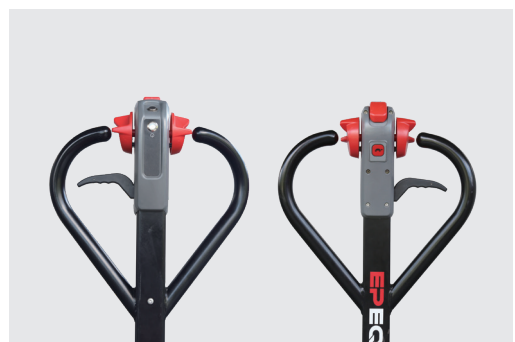
Its structural layout fits principles of ergonomics and it is operated simply and comfortably.

■ Manual lifting and lowering

Lifting speed is 10 mm/time, its operation is simple and controllable.

■ Pass market tests of safety and reliability

HPL152 has 10-year market-tested components.

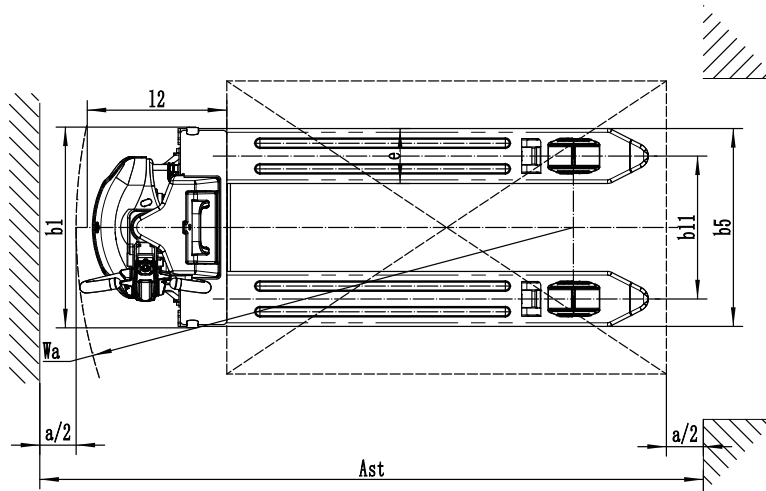
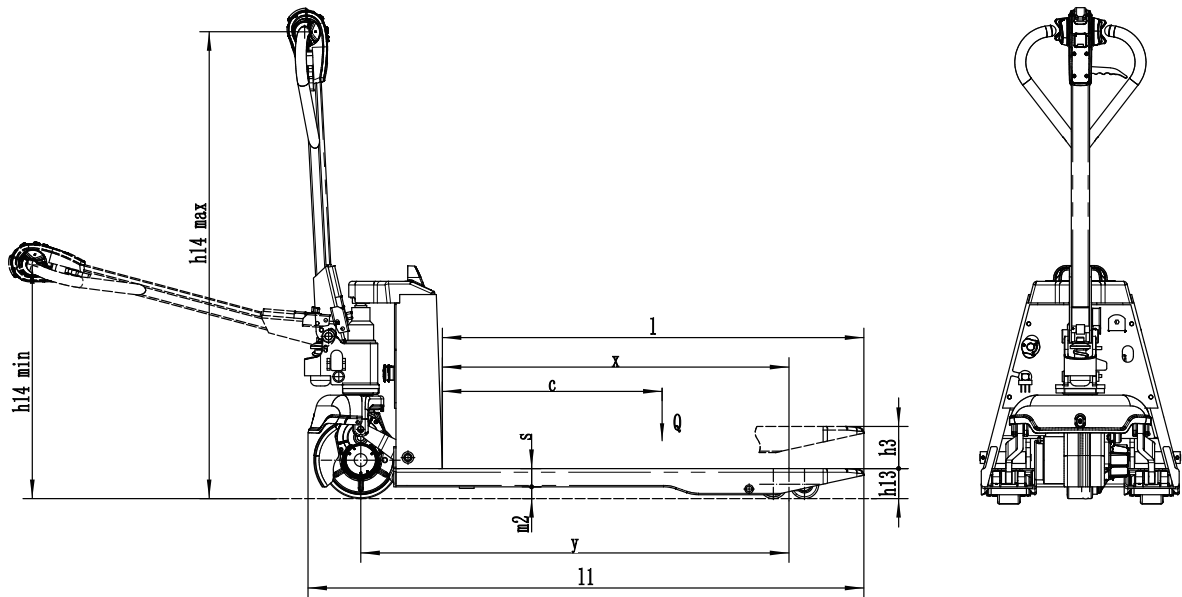


Semi Electric Pallet Truck 1.5T

HPL152

Distinguishing mark	1.1	Manufacturer			EP
	1.2	Model designation			HPL152
	1.3	Drive			Mechanical and electric
	1.4	Operator type			Pedestrian
	1.5	Load capacity	Q	kg	1500
	1.6	Load center distance	c	mm	600
	1.8	Load distance, centre of drive axle to fork	x	mm	945
	1.9	Wheelbase	y	mm	1170
	Service weight	2.1	Service weight		kg
2.2		Axle loading, laden front/rear		kg	558/1172
2.3		Axle loading, unladen front/rear		kg	84/46
Tyres/chassis	3.1	Tyre type			Polyurethane
	3.2.1	Tyre size, front		mm	Φ210x70
	3.3.1	Tyre size, rear		mm	Φ80x61
	3.4	Additional wheels (castor wheels)		mm	—
	3.5	Wheels, number front/rear (x=drive wheels)		mm	1x , —/4
	3.6.1	Tread width, front	b10	mm	—
	3.7.1	Tread width, rear	b11	mm	390
	Dimensions	4.4	Lift height	h3	mm
4.9		Height of tiller handle in drive position min./max.	h14	mm	800/1200
4.15		Lowered height	h13	mm	82
4.19		Overall length	l1	mm	1518
4.20		Length to face of forks	l2	mm	367
4.21		Overall width	b1/b2	mm	548
4.22		Fork dimensions	s/e/l	mm	50/150/1150
4.25		Distance between fork-arms	b5	mm	540
4.32		Ground clearance, center of wheelbase	m2	mm	30
4.34.1		Aisle width for pallets 1000×1200 crossways	Ast	mm	2175
4.34.2		Aisle width for pallets 800×1200 crossways	Ast	mm	2045
4.35	Turning radius	Wa	mm	1370	
Performance data	5.1	Travel speed, laden/unladen		km/h	4/4.5
	5.2	Lifting speed, laden/unladen		m/s	10mm/time
	5.3	Lowering speed, laden/unladen		m/s	—
	5.8	Max. gradeability, laden/unladen		%	5/10
	5.10	Service brake			Electromagnetic
Electric-engine	6.1	Drive motor rating S2 60 min		kW	0.75
	6.2	Lift motor rating at S3 15%		kW	—
	6.4	Battery voltage/nominal capacity		V/Ah	24/20
	6.5	Battery weight		kg	5
	Addition data	8.1	Type of drive control		
10.5		Steering design			Mechanical
10.7		Sound pressure level at the driver's ear		dB(A)	74

If there are improvements of technical parameters or configurations, no further notice will be given.
The diagram shown may contain non-standard configurations.



Option

No.	Optional items	HPL152
1.1	Fork dimension	<ul style="list-style-type: none"> ●540*1150、800~1500 ●685*1150、800~1500
2.1	Load wheel type	●Double○Single
2.2	Load wheel material	●PU
2.3	Drive wheel material	●PU○Trace PU
2.7	Battery capacity	●24V-20Ah Li-ion
2.8	Charger	●24V-10A Internal○24V-10A External
2.14	Electrostatic chain	●No
3.3	Castor wheels	●No
3.16	Vertical handler working	●Yes and not customized

Note: ●Standard ○ Optional - Inconformity