



J1 HD

Electric order picker

- Electrical parts with less maintenance and greater efficiency
- Heavy duty I-beam design providing excellent stability
- Three-point chassis with exceptional maneuverability
- Ergonomic compartment for operation comfort
- Regenerative braking for safety assurance

EP EQUIPMENT CO.,LTD
www.ep-ep.com

▣ FEATURE

■ Electrical parts with less maintenance and greater efficiency

48-volt infinitely variable ZAPI travel controller with 4 operator selectable travel settings and turtle speed mode.

48-volt AC system manages the vehicle's electronic power steering, acceleration, neutral braking and automatic speed reduction both at height and during tight turns when cornering.

AC drive motor provides high torque throughout the entire speed range. The brushless design of AC motor technology drastically reduces maintenance and extends truck run times through efficiency. Lift and lower controls are single speed.

Zapi LCD dashboard display includes fault code diagnostics, hour meter, battery discharge indicator, travel speed and drive wheel directional indicator. The JIHD comes with an emergency power disconnect, blue light, forward facing LED headlights, key switch and horn as standard equipment.

■ Heavy duty I-beam design providing excellent stability

Heavy duty I-beam design provides excellent stability at height. Steel mast channels and side mounted lift cylinders increase platform capacity.

■ Three-point chassis with exceptional maneuverability

Three point chassis design along with 180° drive motor steering arc provides exceptional maneuverability. Power head mounted stability casters add additional truck stability and operator confidence at working heights of up to 6.7m.

■ Ergonomic compartment for operation comfort

Ergonomic fingertip controls for travel, lift and lower functions provide for easy and intuitive operation while traveling at height or ground level.

Roomy operator compartment is designed for high productivity and comfort. Large storage compartments are included for paperwork, pick tickets and tools. Retractable compartment guardrails have an audible alarm when raised if the platform is above a modest elevation.

■ Regenerative braking for safety assurance

Regenerative braking is applied when the operator removes their hand from travel control or when travel speeds are reduced, Electromagnetic parking brake is applied after the truck is stopped.

OPERATOR CONTROLS



Left Hand



Right Hand

SEE THROUGH FRONT WORKPLATFORM

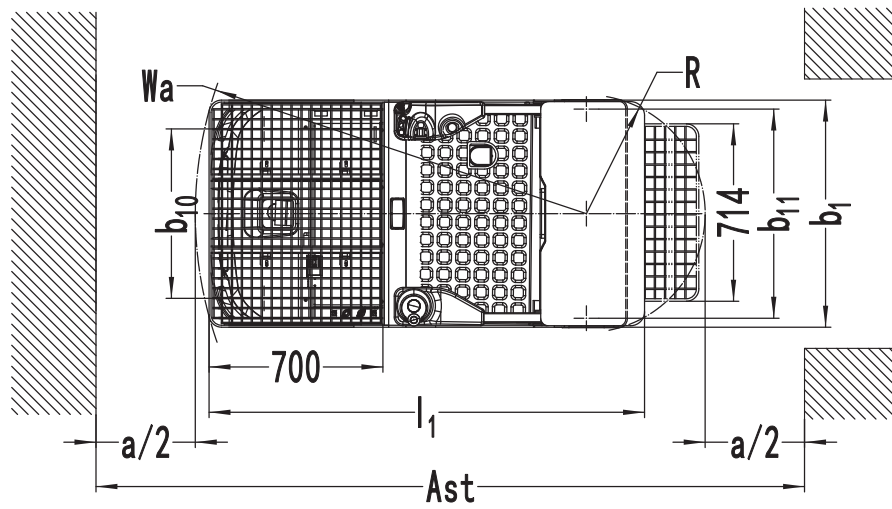
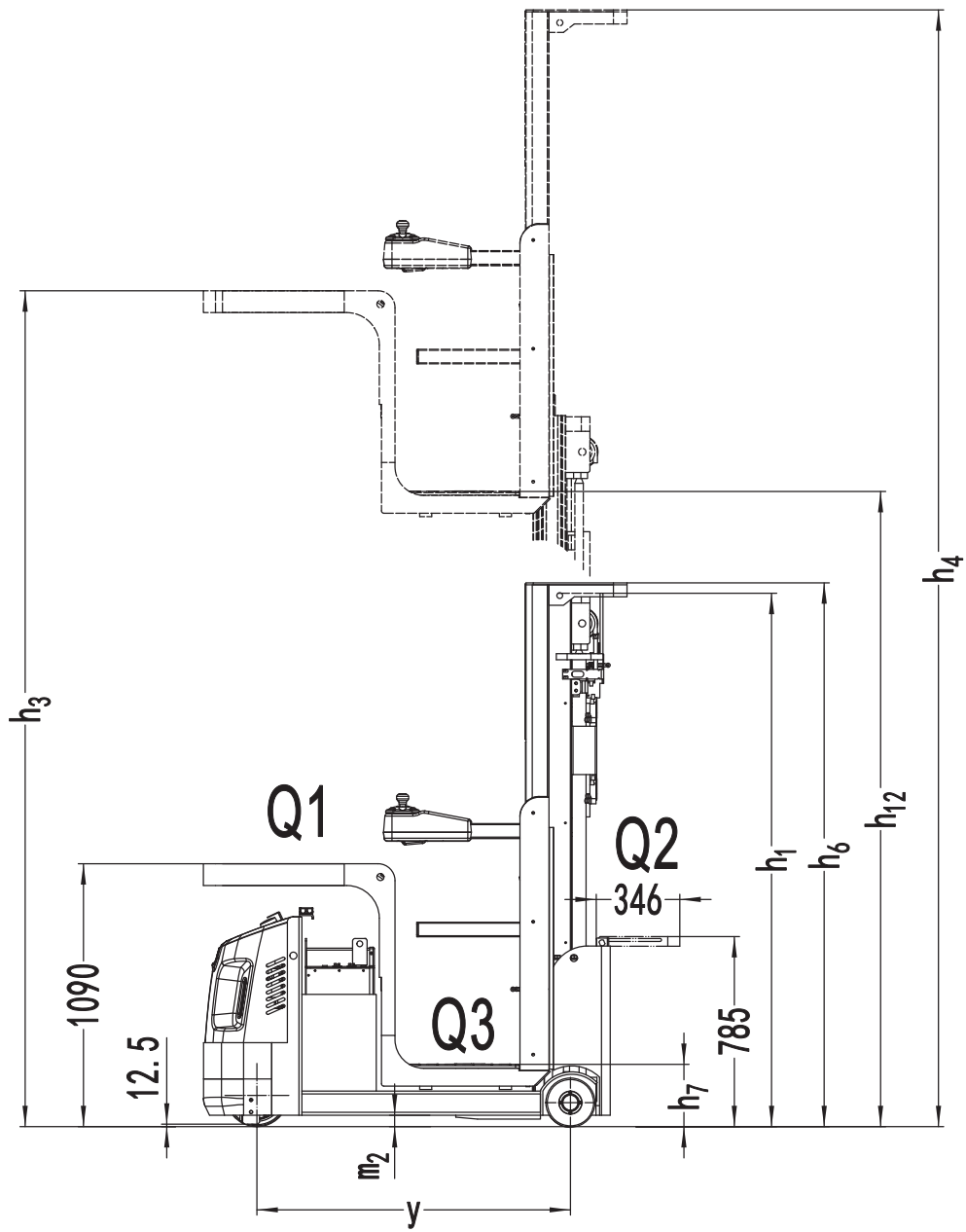


Electric order picker

J1 HD

| | | | | | | |
|---------------------|--|---|----------------|-------|----------------------|----------------------|
| Distinguishing mark | 1.1 | Manufacturer | | | EP | EP |
| | 1.2 | Model designation | | | J1HD(4110) | J1HD(5330) |
| | 1.3 | Drive | | | Electric | Electric |
| | 1.4 | Operator type | | | Order-picker | Order-picker |
| | 1.5 | Load capacity | Q | kg | 318*/137/136 | 318*/137/136 |
| | 1.6 | Load center distance | c | mm | - | - |
| | 1.8 | Load distance, centre of drive axle to fork | x | mm | - | - |
| | 1.9 | Wheelbase | y | mm | 1300 | 1300 |
| | Service weight | 2.1 | Service weight | | kg | 1440 |
| 2.2 | | Axle loading, laden front/rear | | kg | 740/1100 | 780/1220 |
| 2.3 | | Axle loading, unladen front/rear | | kg | 520/820 | 540/990 |
| Tyres/chassis | 3.1 | Tyre type | | | Polyurethane | Polyurethane |
| | 3.2 | Tyre size, front | | mm | Φ260*125 | Φ260*125 |
| | 3.3 | Tyre size, rear | | mm | Φ204*76 | Φ204*76 |
| | 3.4 | Additional wheels (castor wheels) | | mm | Φ74*48 | Φ74*48 |
| | 3.5 | Wheels, number front/rear (x=drive wheels) | | mm | 1x, 2/2 | 1x, 2/2 |
| | 3.6 | Tread width, front | b10 | mm | 682 | 682 |
| | 3.7 | Tread width, rear | b11 | mm | 842 | 842 |
| Dimensions | 4.2 | Retracted mast height | h1 | mm | 2120 | 2250 |
| | 4.3 | Free lift | h2 | mm | - | - |
| | 4.4 | Lift height | h3 | mm | 4940 | 6160 |
| | 4.5 | Height, mast extended | h4 | mm | 5950 | 7320 |
| | 4.7 | Height of overhead guard (cabin) | h6 | mm | 2100 | 2250 |
| | 4.8 | Seat height/standing height | h7 | mm | 250 | 250 |
| | 4.14 | Stand height, elevated | h12 | mm | 4110 | 5330 |
| | 4.15 | Lowered height | h13 | mm | - | - |
| | 4.19 | Overall length | l1 | mm | 1685 | 1685 |
| | 4.20 | Length to face of forks | l2 | mm | - | - |
| | 4.21 | Overall width | b1/b2 | mm | 914 | 914 |
| | 4.22 | Fork dimensions | s/e/l | mm | - | - |
| | 4.25 | Distance between fork-arms | b5 | mm | - | - |
| | 4.32 | Ground clearance, center of wheelbase | m2 | mm | 50 | 50 |
| | 4.34.1 | Aisle width for pallets 1000×1200 crossways | Ast | mm | - | - |
| 4.34.2 | Aisle width for pallets 800×1200 crossways | Ast | mm | - | - | |
| 4.35 | Turning radius | Wa | mm | 1600 | 1600 | |
| Performance data | 5.1 | Travel speed, laden/unladen | | km/ h | 10.5/10.5 | 10.5/10.5 |
| | 5.2 | Lifting speed, laden/unladen | | m/s | 0.20/0.28 | 0.20/0.28 |
| | 5.3 | Lowering speed, laden/unladen | | m/s | 0.35/0.30 | 0.35/0.30 |
| | 5.8 | Max. gradeability, laden/unladen | | % | 0 | 0 |
| 5.10 | Service brake | | | | Electromagnetic | Electromagnetic |
| Electric-engine | 6.1 | Drive motor rating S2 60 min | | kW | 4 | 4 |
| | 6.2 | Lift motor rating at S3 15% | | kW | 4 | 4 |
| | 6.4 | Battery voltage/nominal capacity | | V/Ah | 48V/300Ah(Lead-acid) | 48V/300Ah(Lead-acid) |
| | 6.5 | Battery weight | | kg | 300 | 300 |
| | 8.1 | Type of drive control | | | | AC |
| Addition data | 10.5 | Steering design | | | Electronic | Electronic |
| | 10.7 | Sound pressure level at the driver's ear | | dB(A) | 74 | 74 |

If there are improvements of technical parameters or configurations, no further notice will be given.
The diagram shown may contain non-standard configurations.



Configuration

Standard features

- Electronic power steering
- Hide away rear work tray
- Forward facing blur light
- Forward facing LED headlights
- Premium anti-fatigue rubber floor mast
- 48V45A external charger for Lead-acid battery

Optional equipment

- Anchor w/tether and harness
- Tow hitch (1634kg tow capacity)
- Custom front platform options
- Custom front work basket options
- 12 volt power adapter
- 48V/360Ah Li-ion battery
- 48V150A external charger for Li-ion battery

